

DH-PLZ20C0-L

12 MegaPixel large aperture Lens

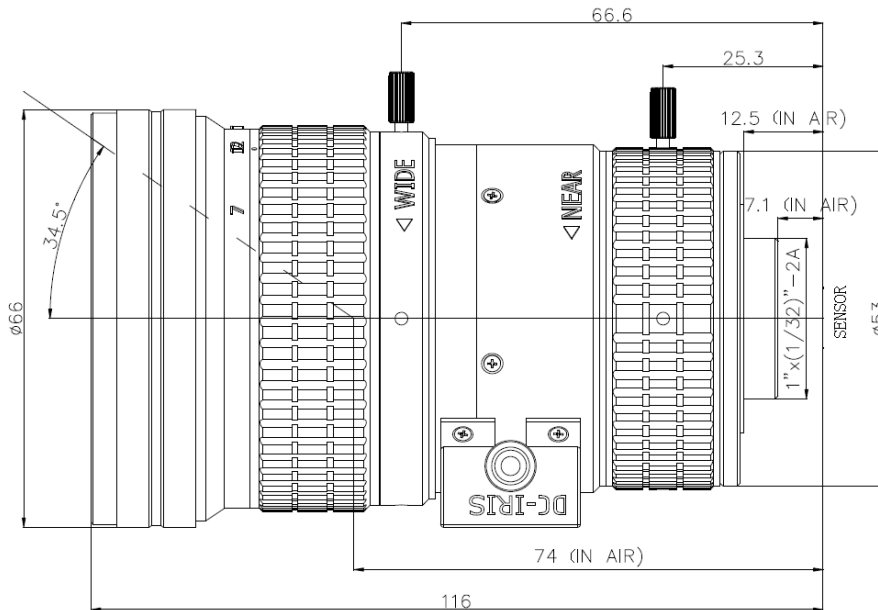


Specifications

Model		DH-PLZ20C0-L
Parameter		
Image format		1/1.7"
Focal length		7-34mm
Aperture		F0.9
Field Angle	1/1.7"(4:3)	W: 66.5°x53.6°x40.5° T: 20.5°x16.7°x12.4°
	1/1.9"	W: 60.2°x52.0°x29.4° T: 19.0°x16.0°x9.1°
M.O.D.		0.5m
TV Distortion	1/1.7"	< -6.5% (wide)
IR Correction		No
Lens Control	Focus	Manual
	Zoom	Manual
	Iris	DC-Iris
Mount		CS
Dimension		φ66x109mm
Weight		545g
Operating temperature		-30°C ~ +70°C

DH-PLZ20C0-L

Dimensions (mm)



Dahua Technology Co., Ltd.

1199 BinAn Road, Binjiang District, Hangzhou, China

Tel: +86-571-87688883

Fax: +86-571-87688815

Email: overseas@dahuatech.com

www.dahuasecurity.com

*Design and specifications are subject to change without notice.

© 2016 Dahua Technology Co., Ltd.